



www.santos.fr

**COFFEE GRINDER WITH BAG
HOLDER # 04**



Internationally patented models





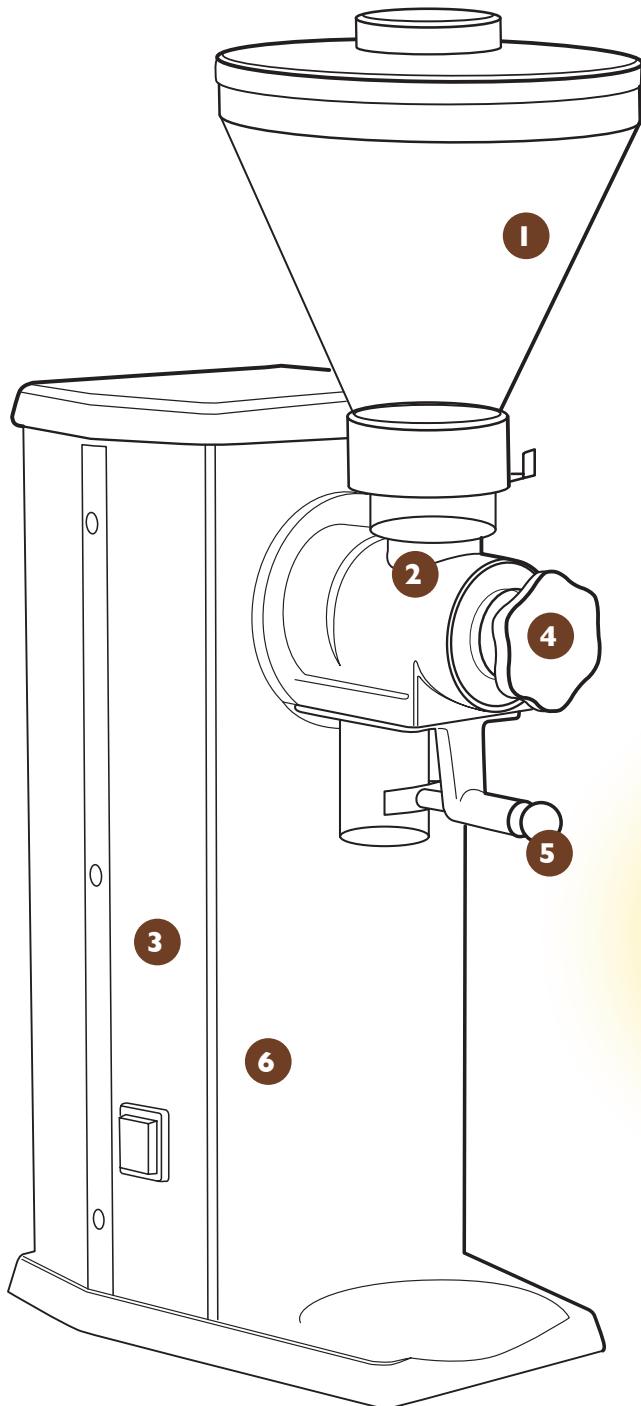
COFFEE GRINDER

THE TRADITIONAL SHOP COFFEE GRINDER SINCE 1956

Traditional sturdy and powerful shop coffee grinder with bag holder.

Easy to use and efficient, the coffee grinder # 04 will give you a high quality grinding.

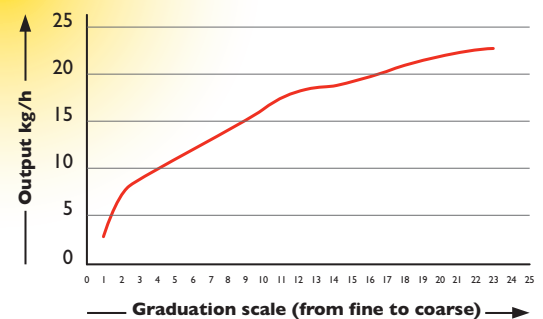
Ideal for shops, supermarket, coffee roasters, bakeries...



1. 1 kg (2.2lbs) hopper
2. **Ø 63.5 mm (2,5") grinding discs:**
high resistance, long lasting
Designed and manufactured by Santos for a high quality grinding
3. **Powerful reliable commercial motor**
5-year warranty
4. **Precision grinding,** from very fine to coarse
Easy to adjust
5. Bag holder – height 280 mm (11")
6. Stainless steel and aluminium body



Output of the coffee grinder # 04



WITH BAG HOLDER # 04



COFFEE GRINDERS: SANTOS KNOW-HOW

www.santos.fr

Santos, more than 60 years experience

- Since 1954, we manufacture our own grinding discs for better results
- Santos is the leader in « Silent » coffee grinders for 15 years
- Constant and fine grinding, constant portion dispensed
- No “burn coffee” effect while grinding, no electrostatic coffee phenomenon
- Easy to adjust (grinding and dosing) and to maintain (changing the grinding discs is very easy)



TECHNICAL SPECIFICATIONS



Motor

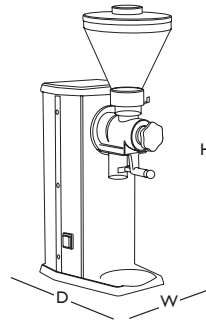
Single phase: 100-120V – 50/60 Hz – 650W – CE
220-240V – 50/60 Hz – 600 W – CE

Speed: 1 500 tr / min (50 Hz)
1 800 tr / min (60 Hz)

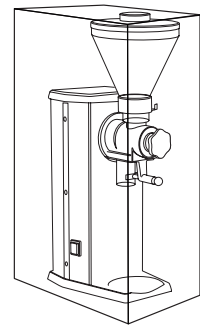


Weight

Net: 18 Kg
Shipping: 20 Kg



APPLIANCE
D: 320 mm (13")
W: 220 mm (9")
H: 700 mm (28")



SHIPPING BOX
D: 450 mm (18")
W: 300 mm (12")
H: 600 mm (23.6")

SAFETY, STANDARDS, HYGIENE

In accordance with the following regulations

Machinery directive 2006/42/EC
Electromagnetic compatibility 2004/108/EC
“Low voltage” Directive 2006/95/EC
Regulation 1935/2004/EC (contact with food)
RoHS directive 2002/95/EC

Harmonized European Standards

EN ISO 12100-1 and 2 :2004
EN 60204-1 : 2006
EN 60335-2-64 : 2004 Commercial electric kitchen machines
CE (European standards)

Thermal Safety

Motor protected by internal thermal detector

Acoustic Safety

Very silent and powerful asynchronous motor

Hygiene

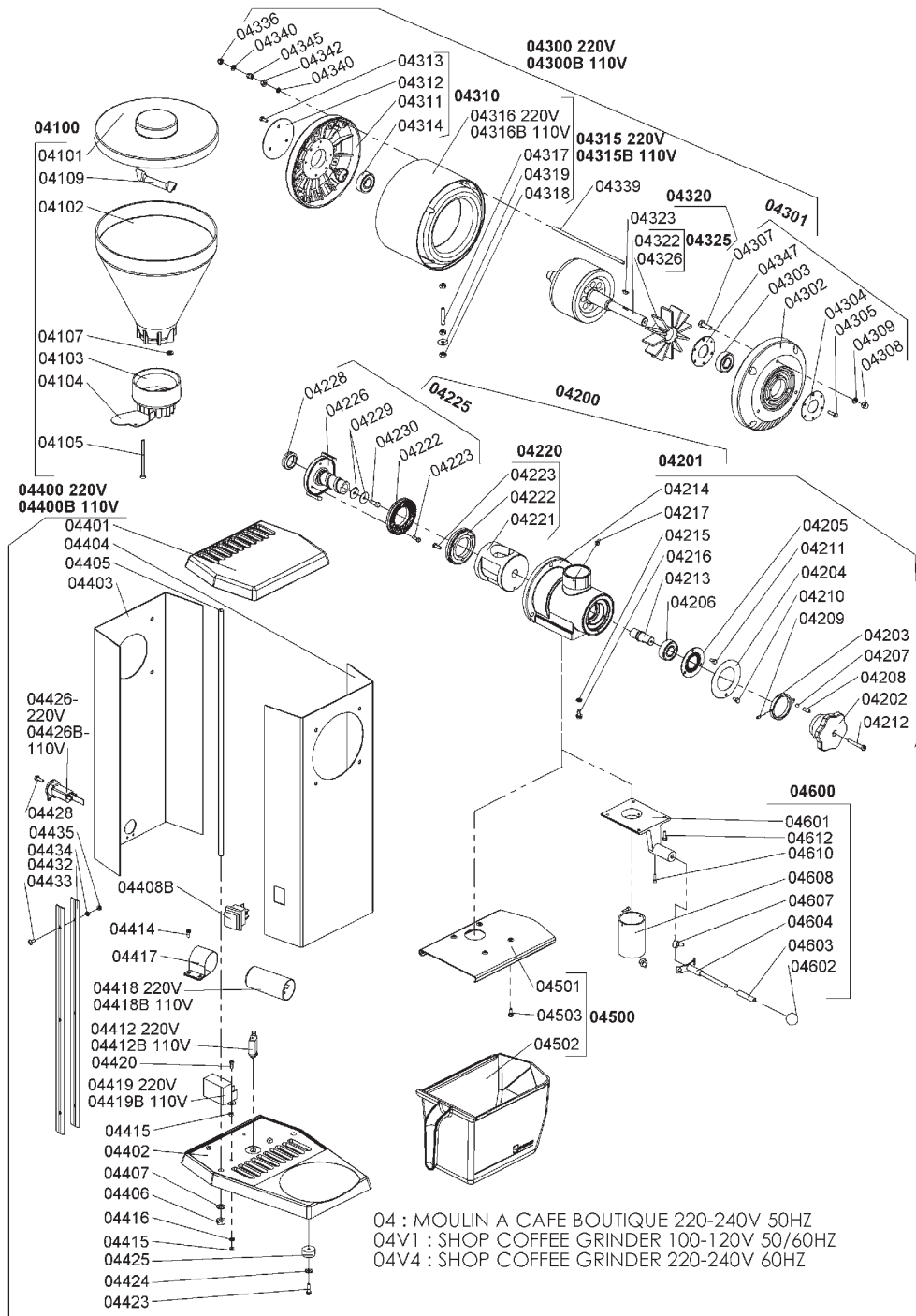
All removable parts can be put in a dishwasher or easily cleaned with hot soapy water.

PRODUCT: 2-YEAR WARRANTY – MOTOR: 5-YEAR WARRANTY



COFFEE GRINDER WITH BAG HOLDER # 04

www.santos.fr



SANTOS

140-150 Avenue Roger Salengro BP 80 067 – 69511 Vaulx-en-velin Cedex (Lyon) – FRANCE

Tel. +33 4 72 37 35 29 – Fax. +33 4 78 26 58 21 – **Website:** www.santos.fr – **Email:** santos@santos.fr

Follow us on #SantosAddict social networks   